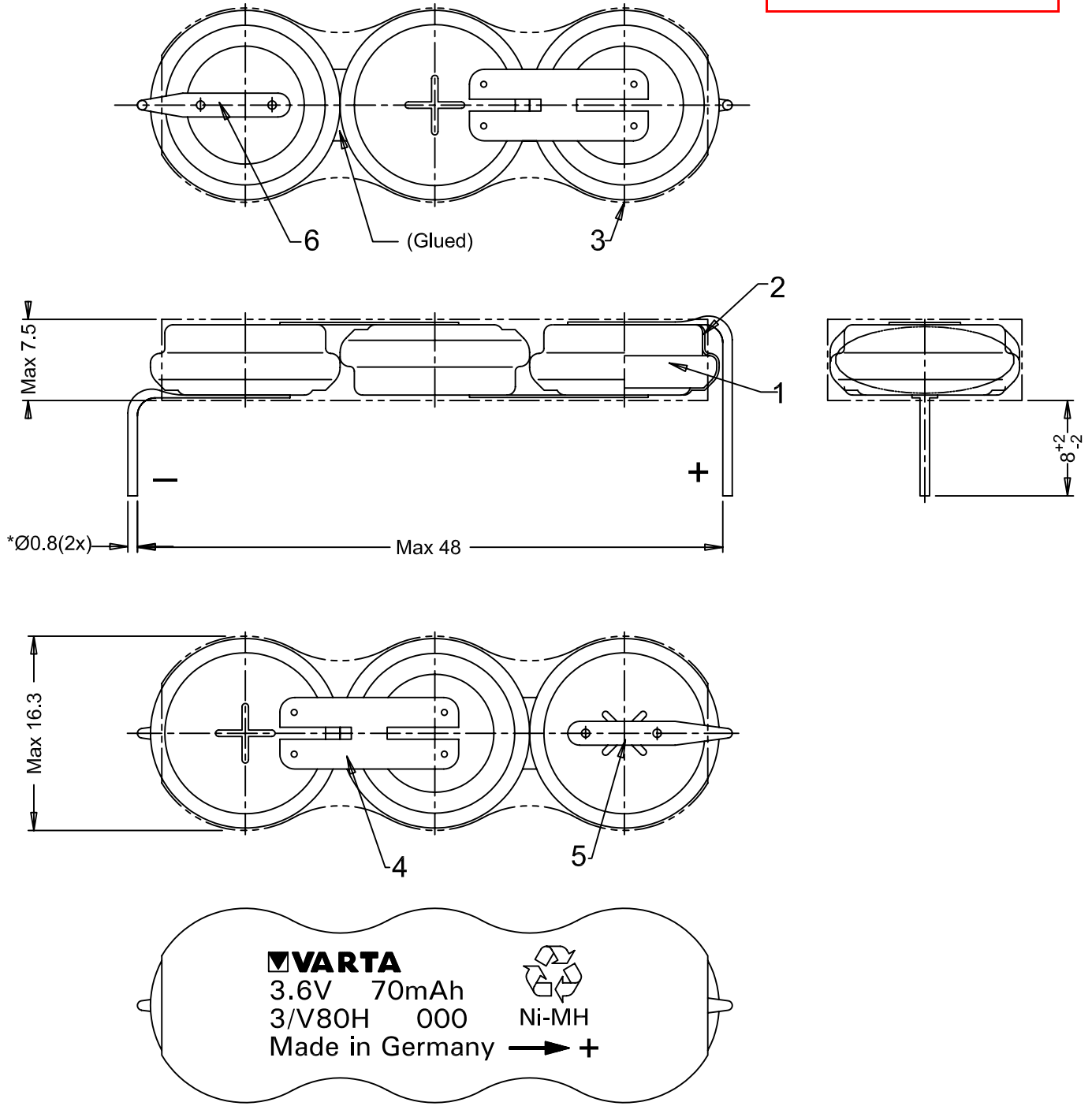


VARTA Microbattery

Not Released Copy mobility for you

Customer Approval returned is mandatory for SAP data to be maintained and order confirmation.

Customer Approval / Date :



Note: 1) *Dimensions for reference only

2) Battery with orange sleeve and black printing.

Approx. wt: 13 g

| | | | | | |
|-------------------------------|--------|--|------------|------------------------------------|------|
| 0 | 136/04 | Refer to Drawing # P03-00096, revision 000 | 2004-11-18 | TitisWS | |
| No | AO No | Revisions | 1 | Date | Name |
| Material: | | Description: | | | |
| Refer to part list no: 074762 | | 3/V80H L S TP | | with shrink sleeve & terminal pins | |
| Projection: | | Dwg. No: 074762 | | 4 0 0 | |
| Dimensions in mm | | Prepared & Checked | | Verified & Approved | |
| Tolerance: As specified | | 2004-11-02 | | Darwin | |
| Scale: 2 : 1 | | VKB Order No: 55608 403 134 | | | |

Rights reserved to make technical changes, as a result of further development, without notice. This drawing is the property of VARTA Microbattery and must not be copied or disclosed to a third party without the written consent of VARTA Microbattery.

